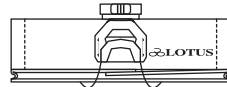




VELCRO



Bicycle Tool Kit Wrap

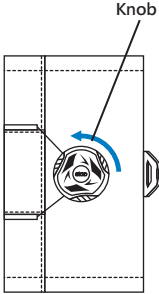


Warning -Improper installation or use may result in serious accident and/or injury. For proper installation, please see the instruction or contact your local dealers.

How to release bicycle tool kit wrap:

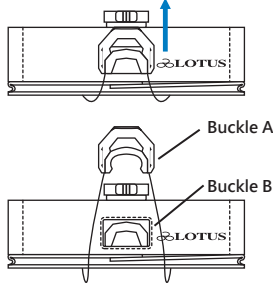
How to secure the bicycle tool kit wrap:

1.



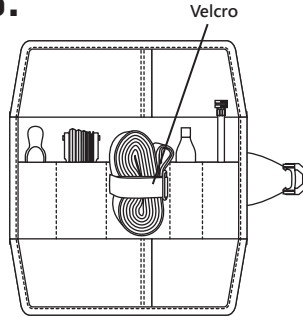
Turn the knob counterclockwise to release cable wire.

2.



Remove the buckle A from buckle B as illustrated.

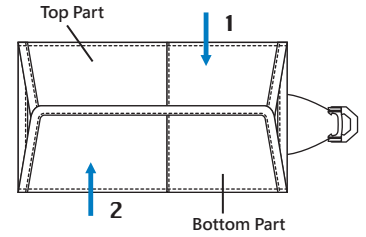
3.



Open the wrap and put your tools, or CO2 bottle inside. You can also use Velcro to secure the inner tube, and cut the extra Velcro if needed.

!
Please note that the bicycle tool kit wrap does not include tools, CO2 or inner tube.

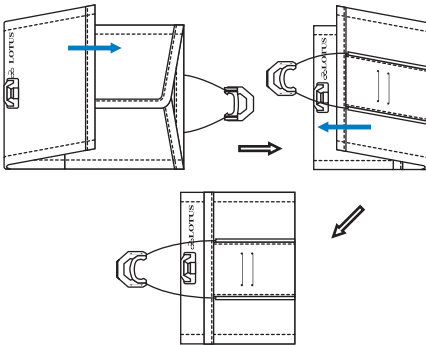
4.



Fold top part of wrap to middle then fold bottom part over top part.

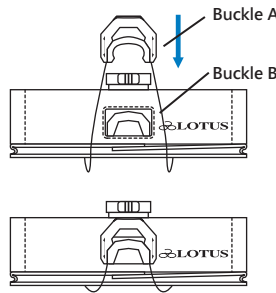
How to secure the bicycle tool kit wrap:

5.



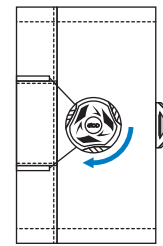
Fold left part of wrap to middle then fold right part over left part.

6.



Place buckle A on buckle B and then push buckle A into buckle B.

7.

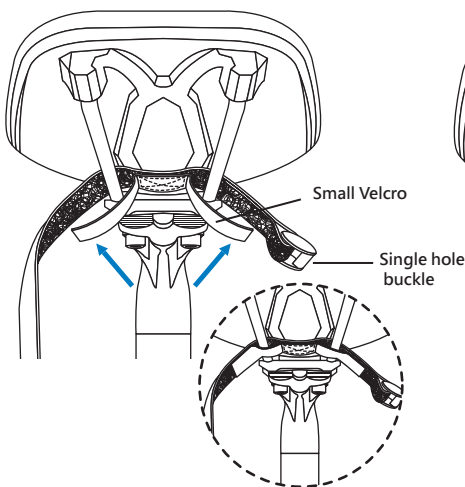


Turn the knob clockwise to tighten cable wire.

!
Please note that do not pull the cable wire too tight otherwise it may damage the cable wire system or bicycle tool kit wrap itself.

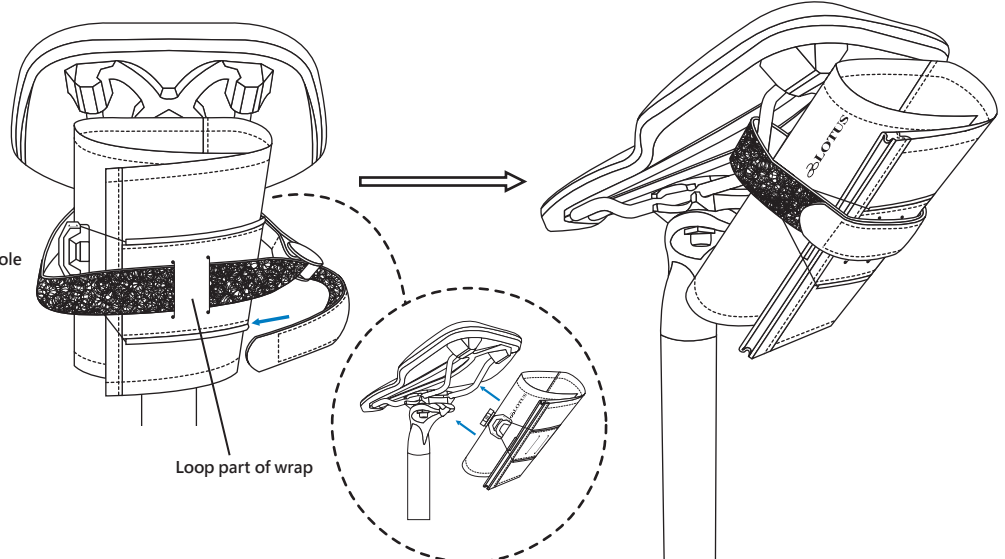
How to install the bicycle tool kit wrap to your bicycle:

8.



Take strap through the saddle rail and use small Velcro to attach the strap under saddle rail as illustrated.

9.



Using strap passes through loop part of wrap and single hole buckle. Secure the bicycle tool kit wrap under the saddle by using the strap as illustrated.