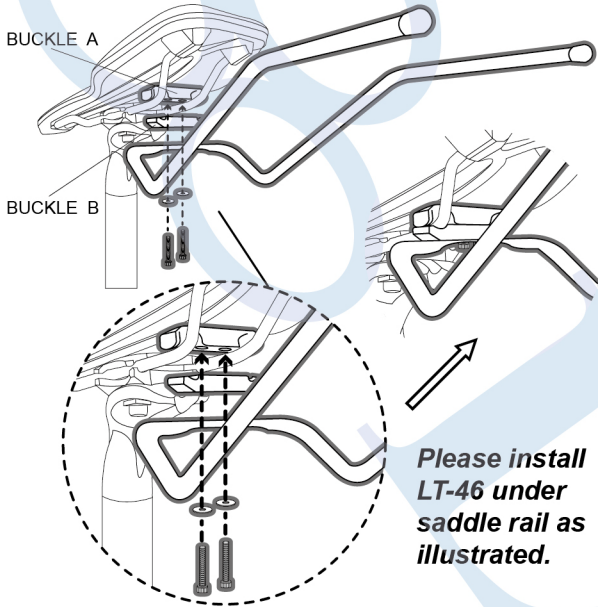


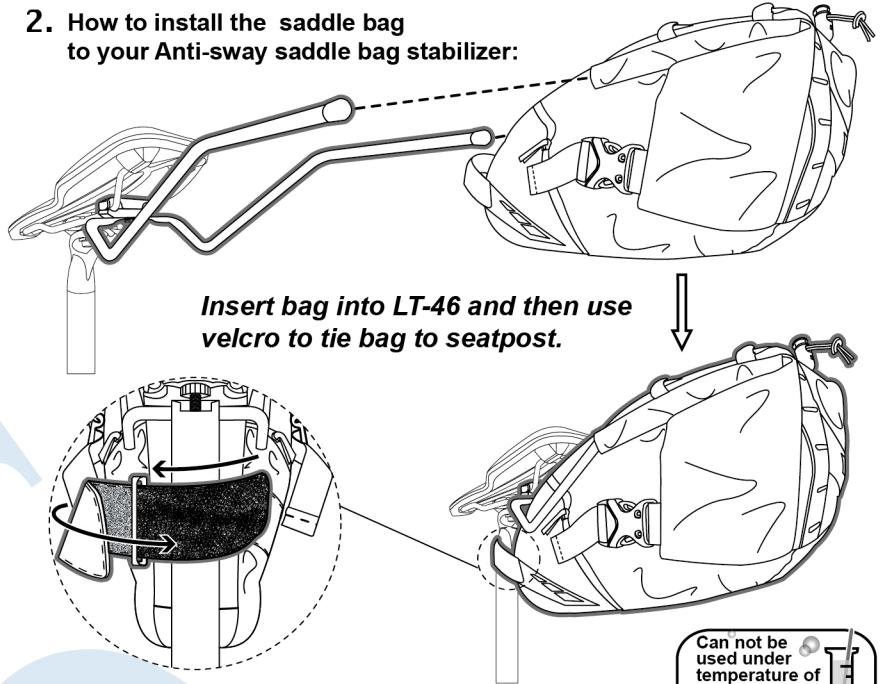
**Warning** -Improper installation or use may result in serious accident and/or injury. For proper installation, please see the instruction or contact your local dealers.

**1. How to install the Anti-sway saddle bag stabilizer to your bicycle:**



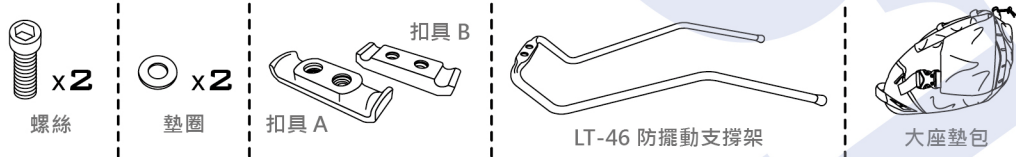
Please install LT-46 under saddle rail as illustrated.

**2. How to install the saddle bag to your Anti-sway saddle bag stabilizer:**



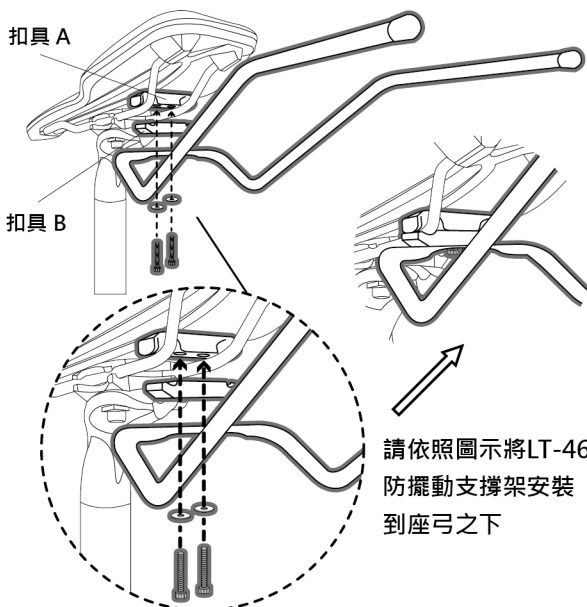
Insert bag into LT-46 and then use velcro to tie bag to seatpost.

Can not be used under temperature of -4°F / -20°C



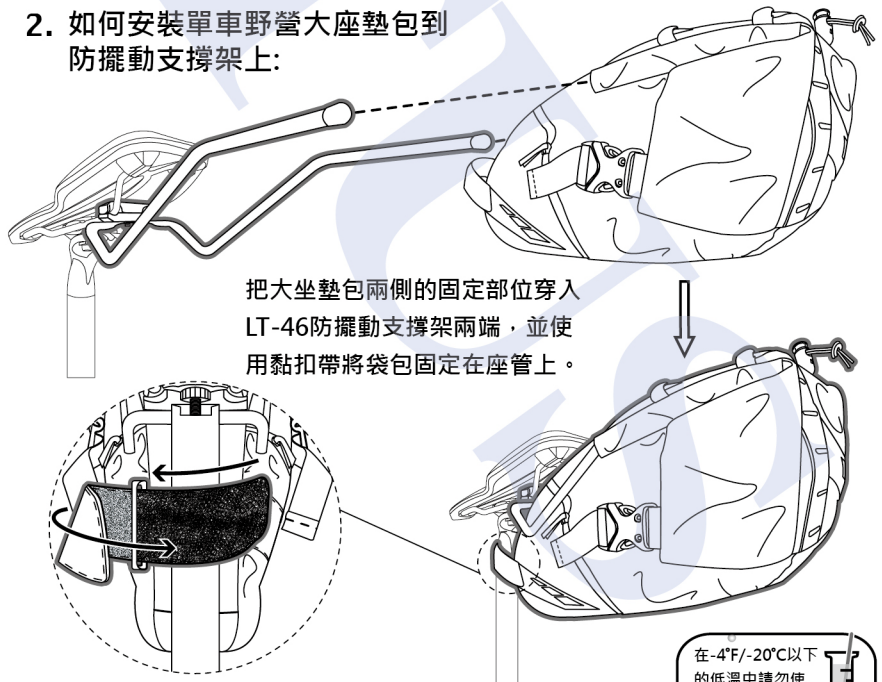
**警告** -不正確的安裝或使用可能會導致嚴重的事故和或傷害。有關正確的安裝，請參閱說明或與當地經銷商聯繫。

**1. 如何安裝防擺動支撐架到自行車上:**



請依照圖示將LT-46防擺動支撐架安裝到座弓之下

**2. 如何安裝單車野營大座墊包到防擺動支撐架上:**



把大坐墊包兩側的固定部位穿入LT-46防擺動支撐架兩端，並使用黏扣帶將袋包固定在座管上。

在-4°F/-20°C以下的低溫中請勿使用該固定座